

infinity

Portable Luminaire Instructions

Instructions pour luminaires portables

Instrucciones para la luminaria portátil

Tragbare Leuchtenanleitung

便携式灯具说明

ポータブル照明器具の手順

تاميلعت ةران إلا ةلوم حم ل

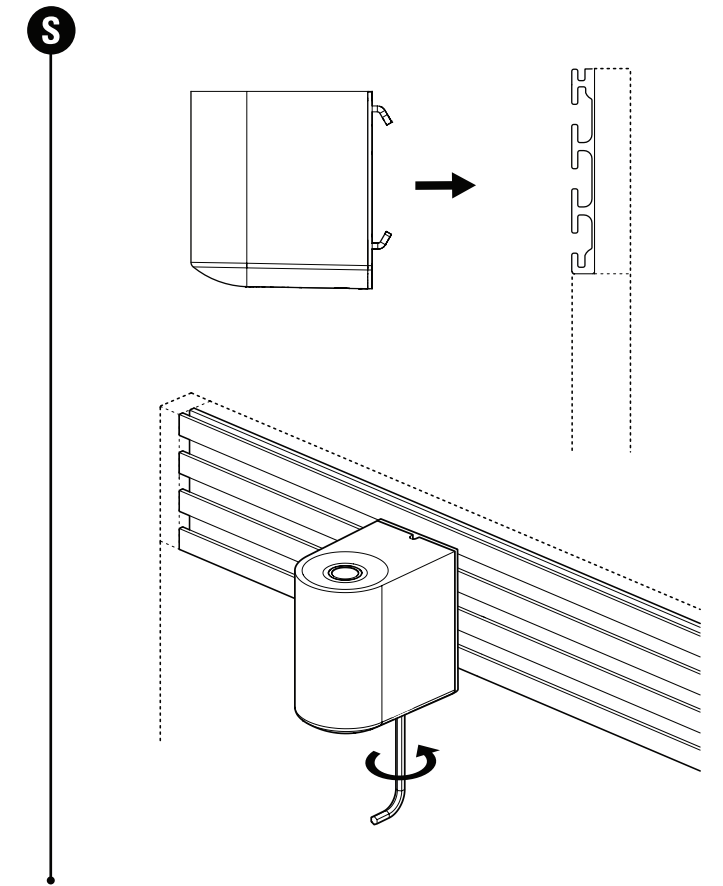
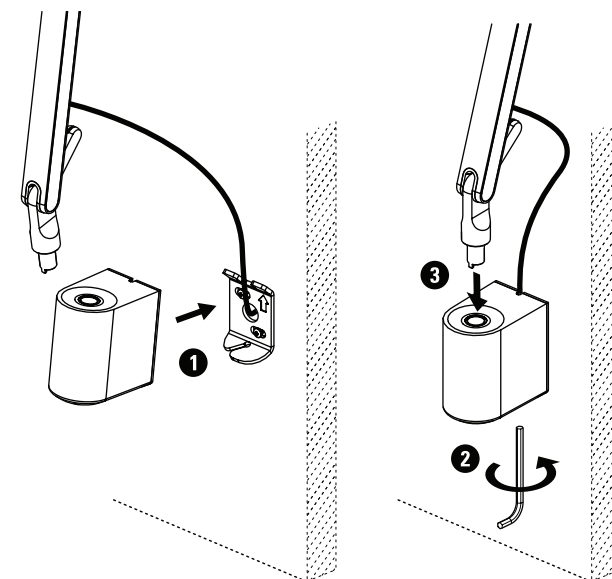
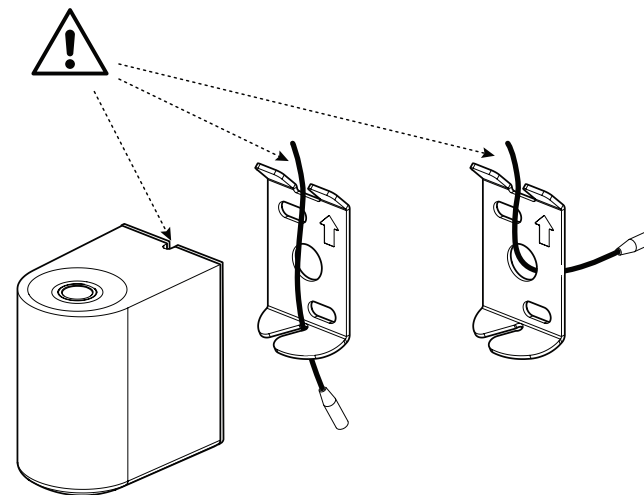
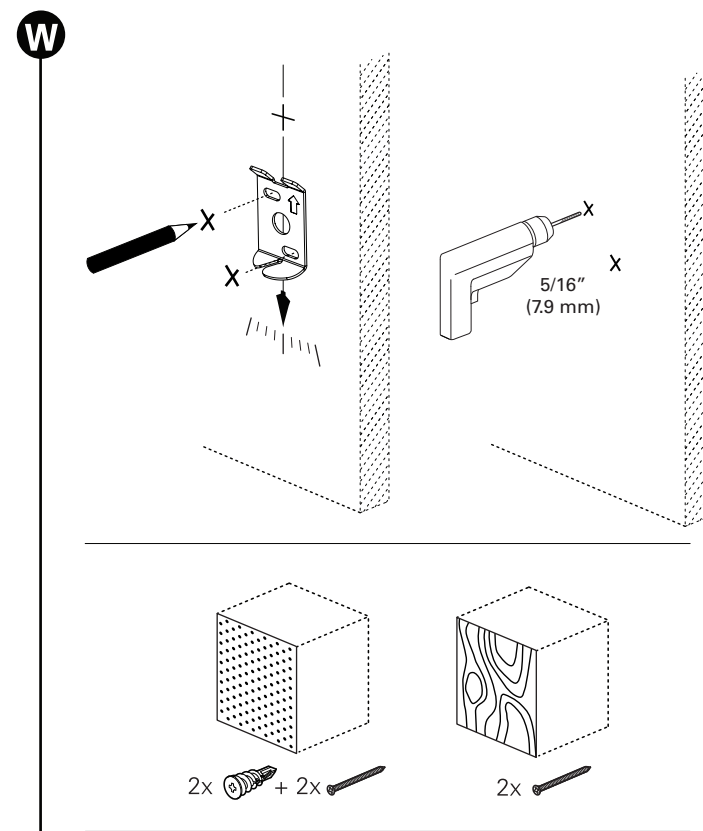
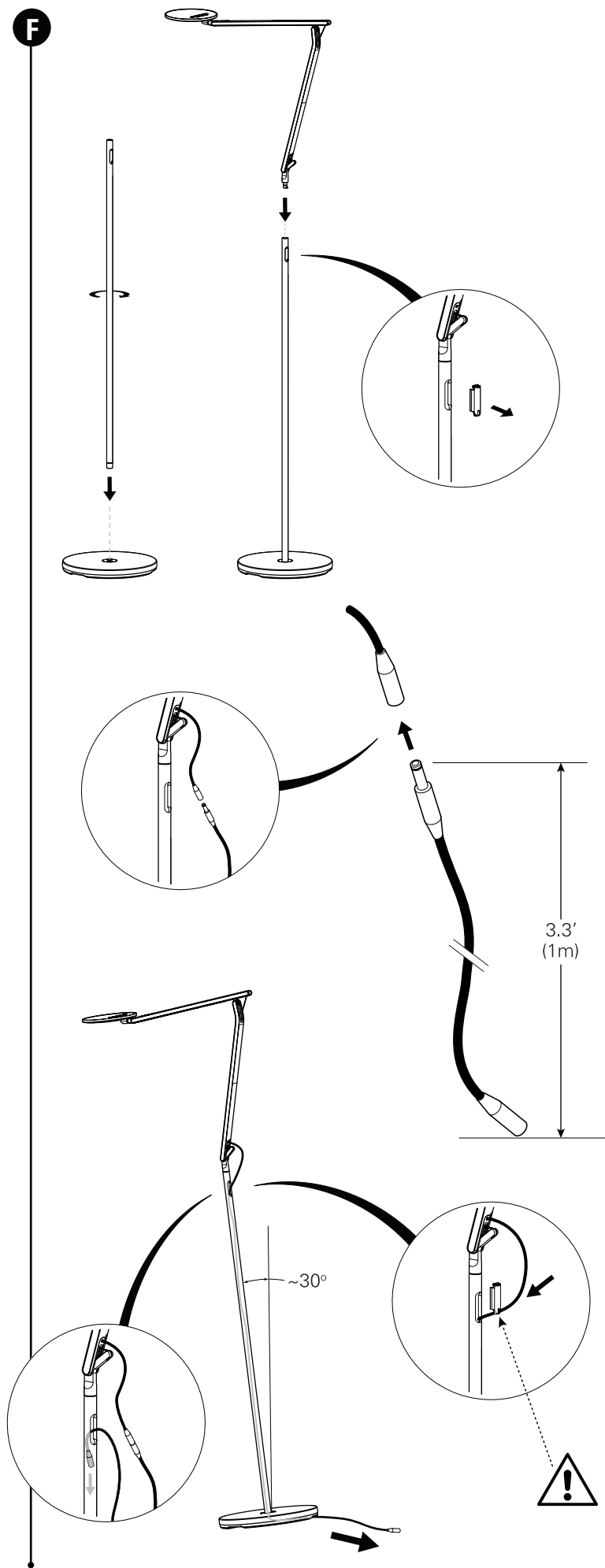
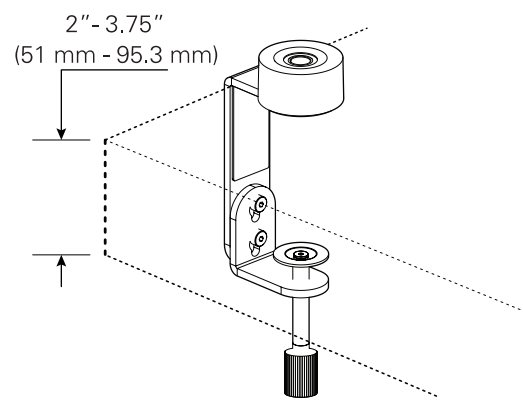
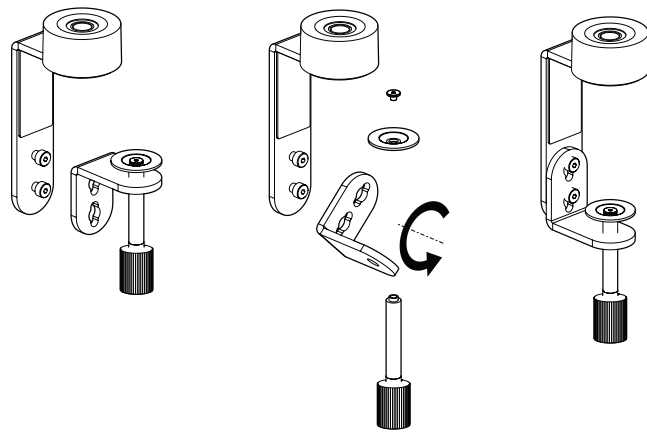
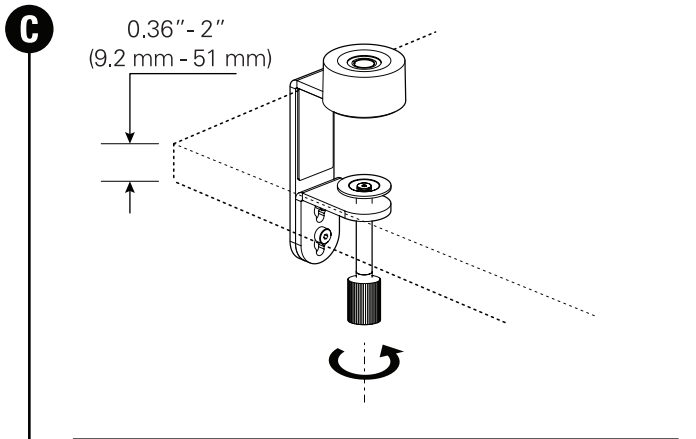
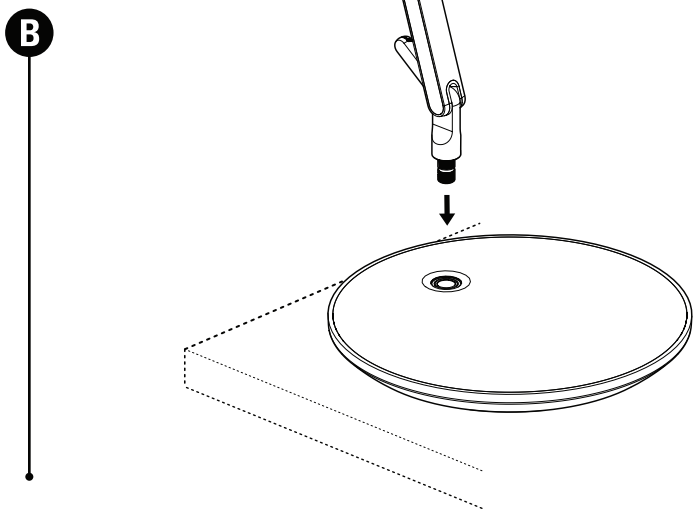
휴대용 조명 장치 지침

788-0950 REV1



www.humanscale.com/infinity





FCC Notice

Models: NF- Series

Note: This equipment has been tested and found to comply with the limits for a Class B digital device, pursuant to part 15 of the FCC Rules. These limits are designed to provide reasonable protection against harmful interference in a residential installation. This equipment generates uses and can radiate radio frequency energy and, if not installed and used in accordance with the instructions, may cause harmful interference to radio communications. However, there is no guarantee that interference will not occur in a particular installation. If this equipment does cause harmful interference to radio or television reception, which can be determined by turning the equipment off and on, the user is encouraged to try to correct the interference by one or more of the following measures:

- Reorient or relocate the receiving antenna.
- Increase the separation between the equipment and receiver.
- Connect the equipment into an outlet on a circuit different from that to which the receiver is connected.
- Consult the dealer or an experienced radio/TV technician for help.

The FCC requires the user be cautioned that any changes or modifications made to this device that are not expressly approved by Humanscale may void the user's authority to operate the equipment.